

MODEL TL-5134

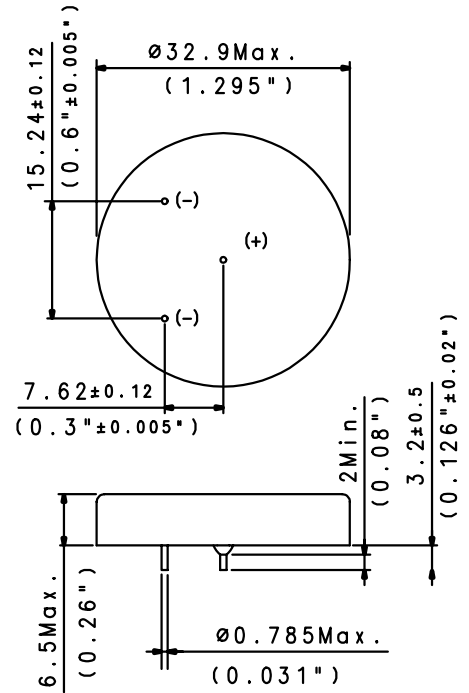
International size reference: 1/10D, ER32L65

TECHNICAL DATA

(Typical values @ +25°C for batteries stored for one year or less)

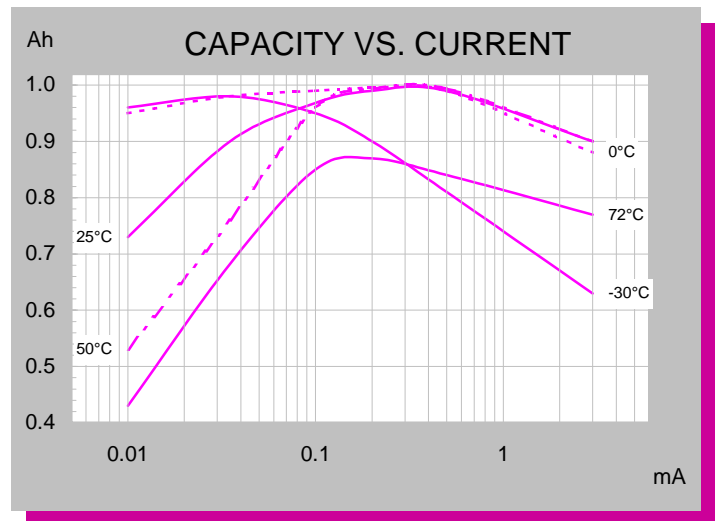
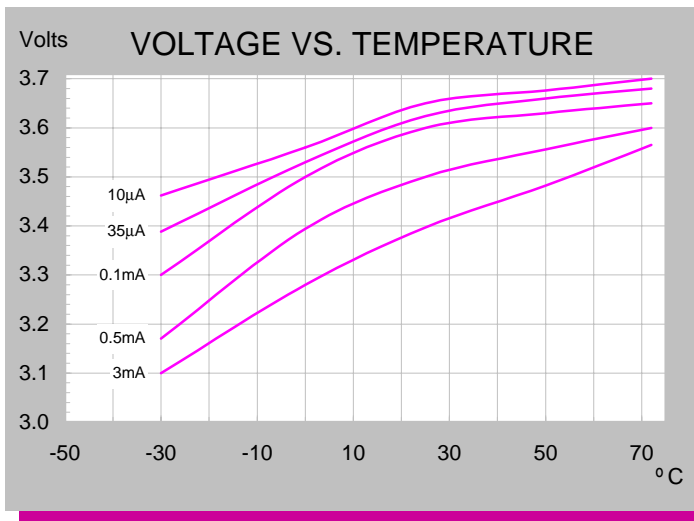
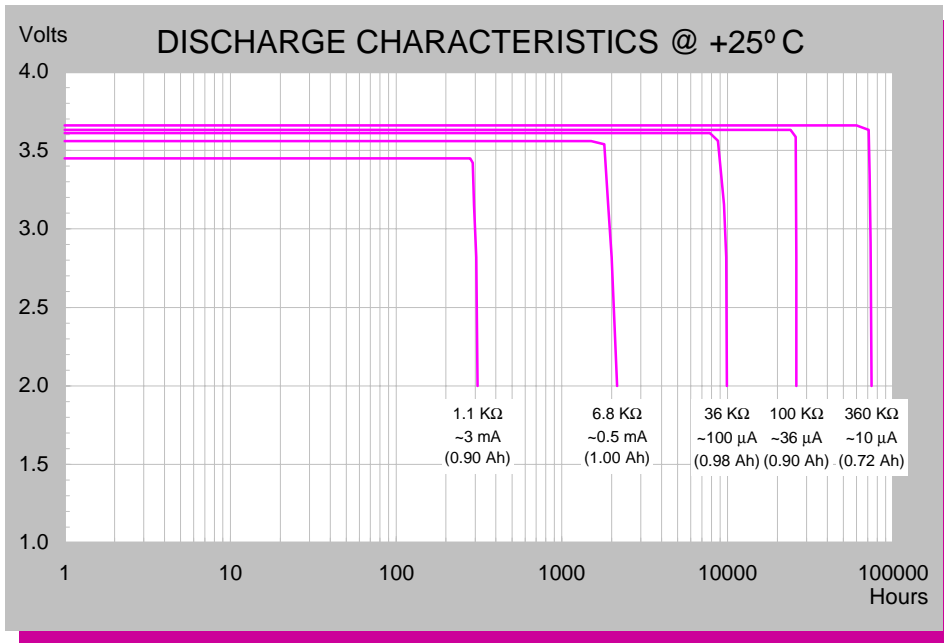
■ Nominal capacity @ 0.5 mA, to 2V	1 Ah
■ Rated voltage	3.6 V
■ Weight	16.8g (0.59 oz)
■ Volume	5 cc
■ Operating temperature range	-55°C to +85°C
■ U.L. Component Recognition, MH 12193	

TADIRAN LITHIUM BATTERIES



ADDITIONAL INFORMATION

TERMINALS MATERIAL : TIN NICKEL PLATED
CATALOGUE NO. : 15-5134-41000



MEMORY BACKUP

Note: Any presentations in this data sheet concerning performance are for information purpose only and are not construed as warranties either expressed or implied, of future performance.

Rev. B 02/01